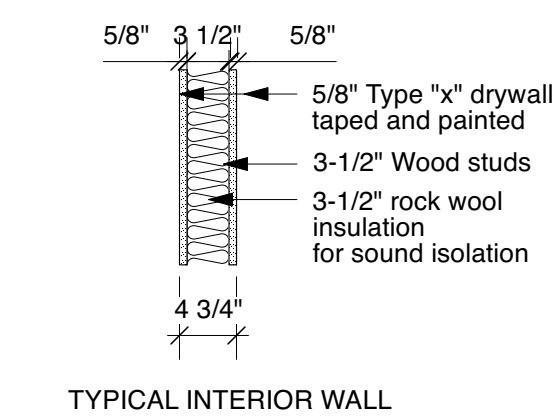
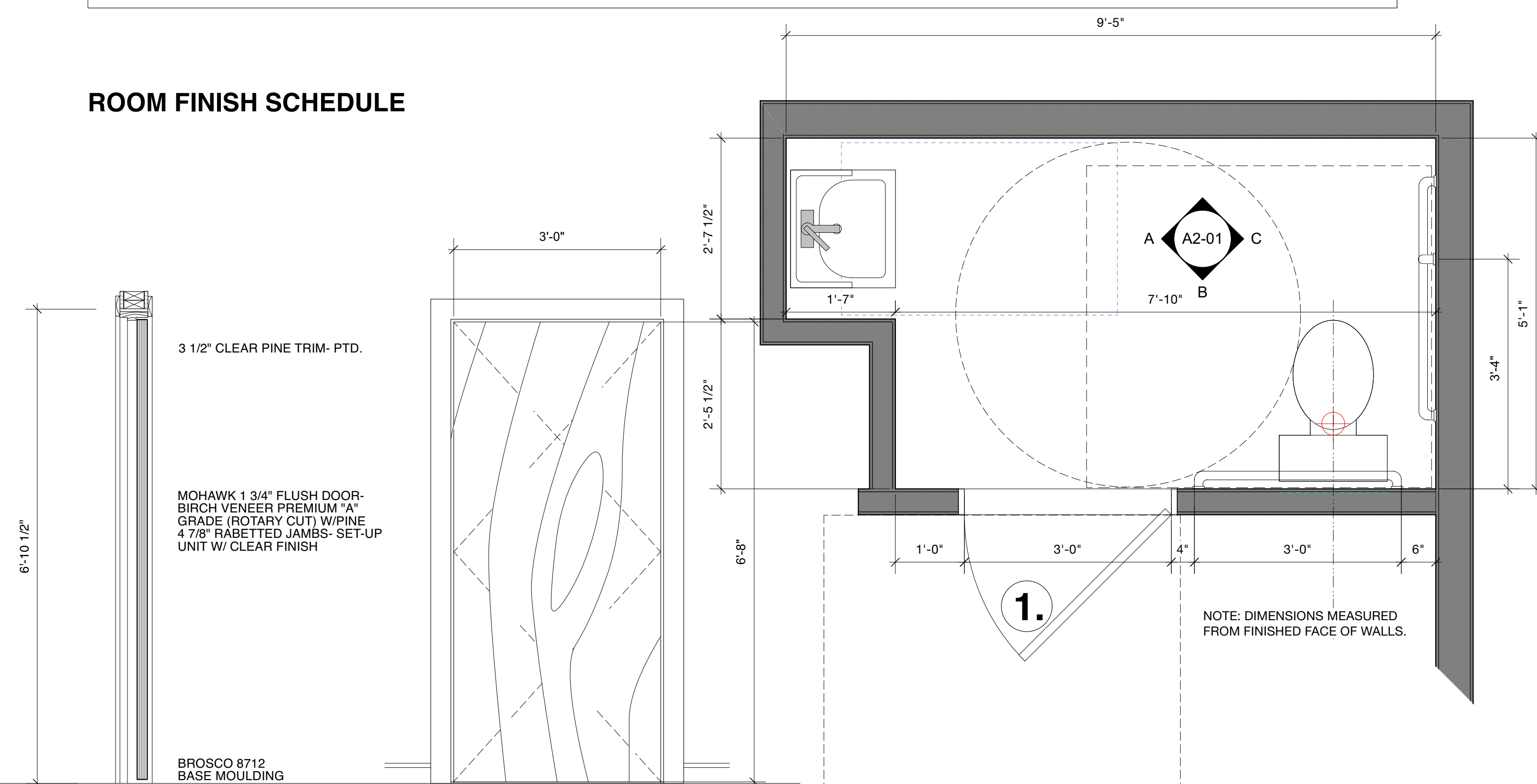


| ROOM | FLOOR | WALLS | CEILING | NOTES |
|--------------|-------------------------|--------------------|--------------------|---|
| 01. BATHROOM | VINYL TILE; RUBBER BASE | GYP. BOARD-PAINTED | GYP. BOARD-PAINTED | ADA FIXTURES & ACCESSORIES AS REQ; VENT AS REQ. |

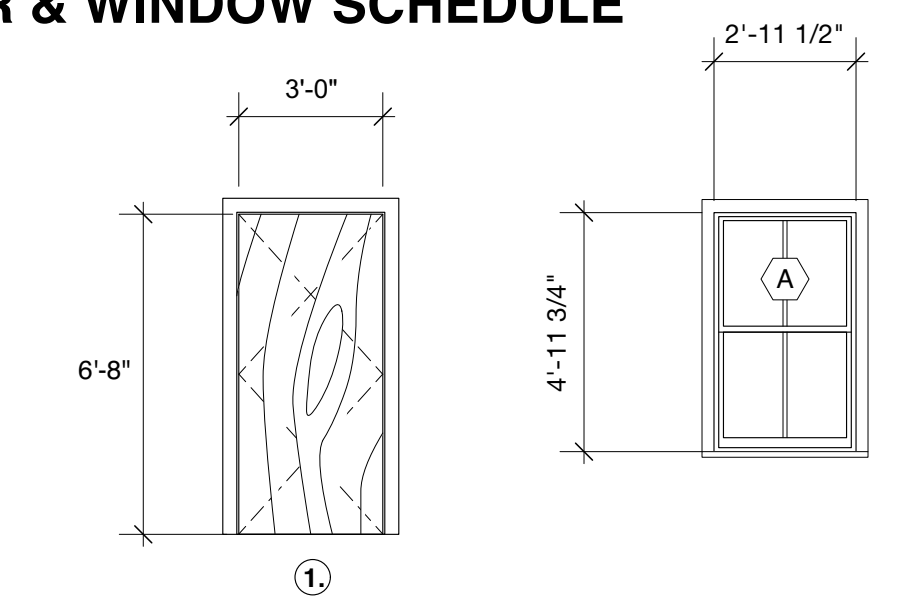
| UNIT | UNIT SIZE | ROUGH OPENING | DOOR DESCRIPTION | NOTES |
|------|-------------------|--|---|---|
| 1. | 01. 3'-0" X 6'-8" | 3'-2 1/2" W X 6'-10 1/2" H | 1 3/4" BROSCO FLUSH DOOR/ W PRIMED PINE JAMB SET-UP UNIT; 4 7/8" JAMB WIDTH | BIRCH 5-PLY; PRO CORE; CLEAR FINISH SCHLAGE S-SERIES SATURN LEVER IN BRUSHED CHROME (626); IVES WALL STOP WS407 32D; TYPICAL EXCEPT FOR POCKET DOORS |
| 1. | A. | MARVIN ELEVATE DOUBLE HUNG ELDH 3660 E | R.O. 3'-0 1/2" W X 5'-0 1/4" H | STONE WHITE; LOW-E INSUL. GLASS W/ARGON GAS; FULL SCREENS; WHITE PTD. INT; 4 9/16" JAMBS; 2 OVER 2 |



ROOM FINISH SCHEDULE

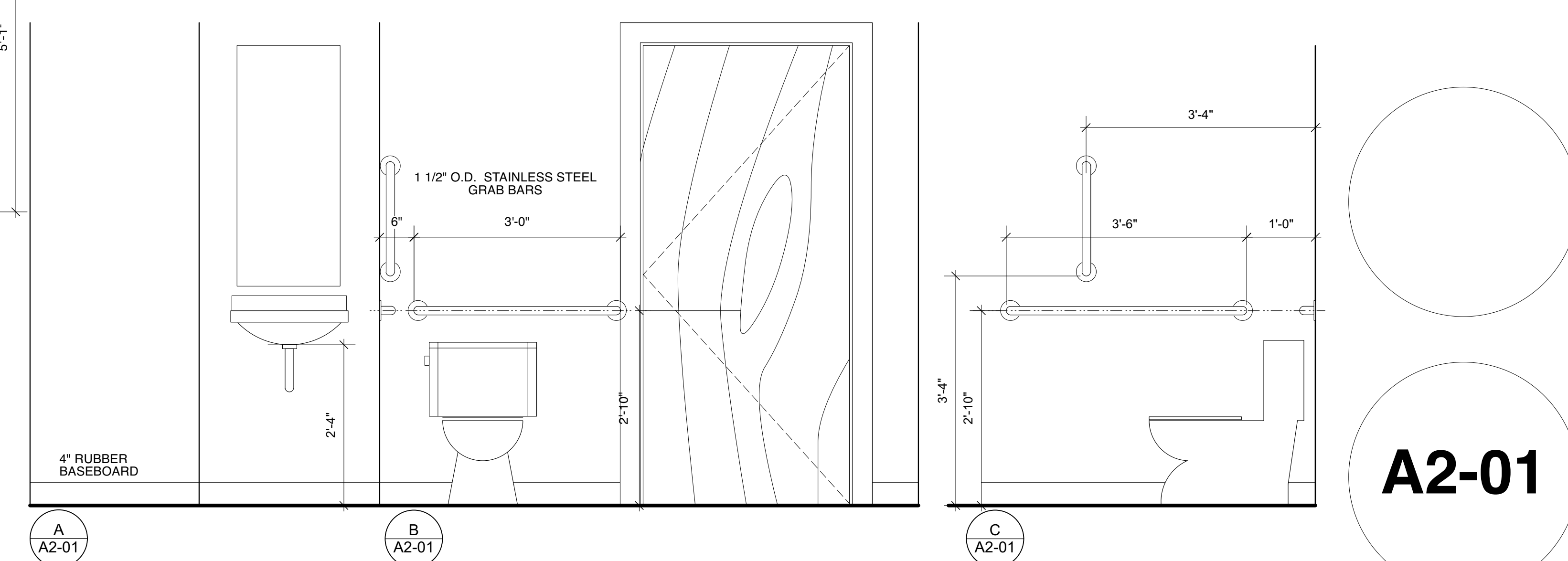


DOOR & WINDOW SCHEDULE



1. OFFICE DOOR SECTION & ELEVATION
 3/4" = 1'-0"

2. HANDICAPPED BATH PLAN & ELEVATIONS
 3/4" = 1'-0"



A2-01